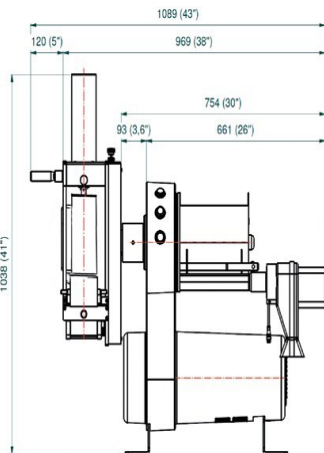


Italia Baby

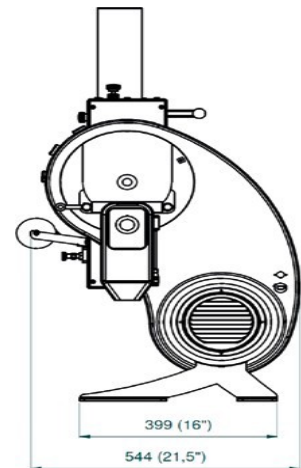
THE NEW ITALIAN PASTA STYLE MACHINE



- ALL-IN-ONE MIXER EXTRUDER DOUGH SHEETER
- INDUSTRIAL GRADE, HIGH TORQUE MOTOR
- GUARANTEE A FUNCTIONAL USE UP TO 6 HOURS
- EASY TO CLEAN
- SELECTION OF 40 DIES
- MAKES PASTA TEXTURED AND ARTISAN TASTE
- RAVIOLI ATTACHMENTS FOR DIFFERENT SHAPES
- ADJUSTIBLE FILLING (CAN BE CHANKY PIECES)
- PIEROGI SHAPE DIE IS AVAILABLE

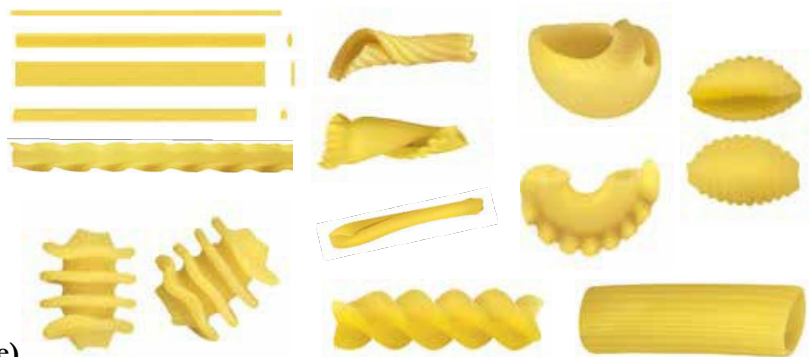
- EXTRUDER SHORT/LONG PASTA OUTPUT 15 LB/H
- FILLED PASTA OUTPUT (RAVIOLI, PIEROGI) 25 LB/H

- MOTOR 230V-50HZ
- WEIGH TOTAL 143 LB
- NSF/UL/CSA COMPLIANT



PASTA STYLES and SIZES

- ❖ spaghetti from 0.9 to 4 mm
- ❖ linguine 3x1.6 mm & 4x1.6 mm
- ❖ pappardelle from 6 to 15 mm
- ❖ spaghetti ghitarra from 1.8 to 2.5 mm
- ❖ mafaldine 12 mm
- ❖ garganello 12 mm
- ❖ maccheroni curvi 8.6 & 16 mm
- ❖ gnocco sardo 19 mm
- ❖ radiatori 17.5 mm
- ❖ trottole 11.4 mm
- ❖ fusilli 8.8 to 10 mm (depending on shape)
- ❖ maccheroni rigati from 3 to 15 mm



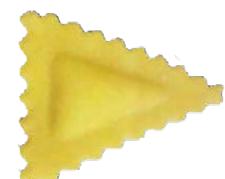
1 1/8" to 2 1/8"

1 3/4" to 3 1/4"

3 1/4" to 3 1/2"

2"

2" to 2 3/4"



Description

Pasta Maker Machine includes:

- mixer
- extruder
- 1 short or long pasta die (customer choice)
- 3 blades rotating cutter with adjustable speed
- stainless steel holder with 2 plastic trays

Extra Options:

- 1 short or long pasta die
- 1 adjustable dough sheet lasagna die 160mm
- 1 Penne pasta die

Filled Pasta (ravioli, pierogi) Options:

- 1 double sheet filled pasta maker attachment complete with
1 ravioli die (customer choice)
- 1 stainless steel filling canister
- 1 set of plastic rollers (2 pieces)
- 1 stainless steel tray holder with 2 plastic trays

Extra Options for Filled Pasta:

- 1 ravioli die (customer choice)
- 1 stainless steel filling canister
- 1 pierogi die

* <https://youtu.be/GoV1r6IVOUk> - link to YouTube with a short video about the machine

* Contact us for specific extra options and prices

* Deliver 60-90 days from placing an order

* Payment Terms 50-50